

DPC.micro NS

compact programmable effects switcher



user manual



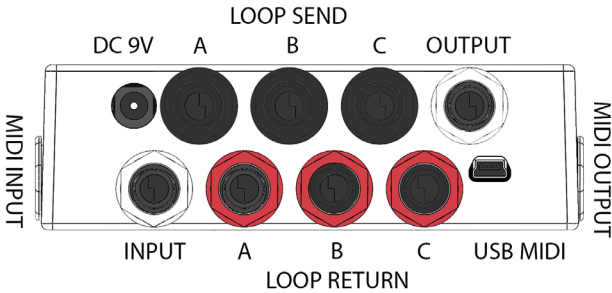
INTRODUCTION

Thank you for your interest in the DPC.micro Programmable Effects Switcher.

The DPC.micro packs three true-bypass effects loops into a small footprint, adding in MIDI control and preset capability for good measure. Each loop may be individually controlled using the footswitches on the DPC.micro or by MIDI remote control. You can also save your favorite effects loop settings to preset combinations for later recall.

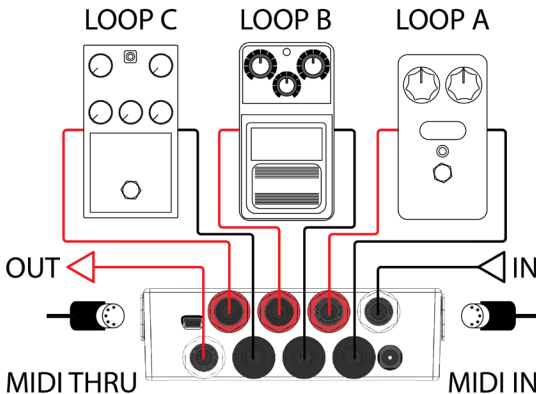
INS AND OUTS

Most of the connections to the DPC.micro are located on the rear panel of the device as shown below.



The white jacks on the rear panel serve as input and output connections. Plug your instrument into the white jack panel next to the power jack, and plug your amplifier into the white jack next to the USB port.

The remaining jacks connect to your pedals. The black jacks are the effects sends, which should connect to the input of each pedal. The red jacks are the returns, and connect to the output of each pedal.



Connect your pedals as shown in the diagram above. Make sure to **engage** all of your pedals in the loops! The DPC.micro can bypass and engage them remotely only if the pedals are powered on and engaged.

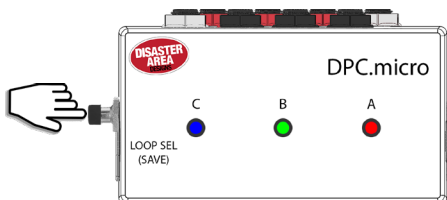
The bypass state of each loop will be shown on the DPC.micro, but the LEDs on the looped pedals themselves will not change.

CONTROLLING YOUR PEDALS

The main control method for the DPC.micro NS is MIDI. Please consult the MIDI Control section on the next page for full details.

In some cases you may wish to manually control the DPC.micro NS, for preset editing or overriding MIDI control. We have included a convenient button on the side of the unit for manual control.

LOOP SELECTION



Tap the LOOP SEL switch to cycle through the eight different possible loop combinations.

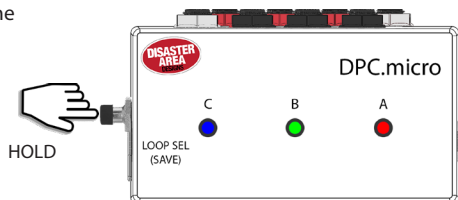
The loop states are indicated by the LED next to each footswitch.

LOOP SELECTION ORDER

- | | | | | | | | |
|-----------------------|----------------------------------|----------------------------------|------------------|----------------------------------|----------------------------------|----------------------------------|--------------------------|
| <input type="radio"/> | <input type="radio"/> | <input type="radio"/> | ALL OFF | <input checked="" type="radio"/> | <input type="radio"/> | <input type="radio"/> | C |
| <input type="radio"/> | <input type="radio"/> | <input checked="" type="radio"/> | A | <input checked="" type="radio"/> | <input type="radio"/> | <input checked="" type="radio"/> | A & C |
| <input type="radio"/> | <input checked="" type="radio"/> | <input type="radio"/> | B | <input checked="" type="radio"/> | <input checked="" type="radio"/> | <input type="radio"/> | B & C |
| <input type="radio"/> | <input checked="" type="radio"/> | <input checked="" type="radio"/> | A & B | <input checked="" type="radio"/> | <input checked="" type="radio"/> | <input checked="" type="radio"/> | A & B & C |

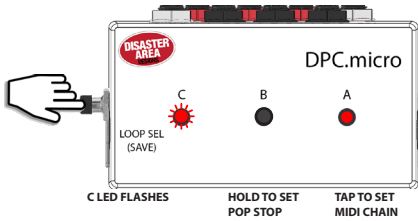
SAVING A PRESET

Hold the LOOP SEL / SAVE switch to save the current loop selection to the last received MIDI preset.



CONFIGURATION

To enter a configuration mode, power on the DPC.micro and then hold LOOP SEL switch after the LEDs start flashing.



CONFIGURATION MENU

Tap the LOOP SEL switch to set the MIDI Chain ID. LED A will indicate the current chain ID (red is default.)
RED = 0, GREEN = 1, BLUE = 2, ORANGE = 3.

Hold the LOOP SEL switch to set the automatic pop reduction. LED B will indicate the current reduction setting (off is default.)
OFF = disable, RED = low, GREEN = medium, BLUE = high.

Send a MIDI program change message from your controller to set the DPC MIDI channel.

FACTORY RESET: Enter config mode, then hold down the LOOP SEL switch for 5 seconds to clear all preset data and configuration. The factory default settings are MIDI channel 16, Chain ID 0, Pop reduction OFF, RED / GREEN / BLUE LEDs, Brightness 4.

MIDI CONTROL

There are three ways to control the DPC.micro using MIDI.

The simplest way is to send a program change ranging from 120 to 127. Each program change corresponds to a different unique loop setting, and will never change.

120: No loops active	124: C active
121: A active	125: A & C active
122: B active	126: B & C active
123: A & B active	127: A & B & C active

You can also save your own loop combinations to the internal memory of the DPC.micro, and load them using MIDI program changes 0-119.

Send a MIDI program change from your controller on the DPC.micro MIDI channel. The DPC will load the contents of its memory. To edit, use the Loop mode on the DPC.micro to change the loop assignments and then hold the C (SAVE) footswitch. The DPC.micro will save the new data in the current memory location.

The final way to control the DPC.micro is to send MIDI CC messages. MIDI CC 50, 51, and 52 control the A, B, and C loops respectively. Send a value from 0-63 to turn the loop OFF, or a value from 64-127 to turn the loop ON.

If more than one DPC.micro is used in the same system, you can use the **MIDI Chain ID** function in the DPC setup to move the range of the MIDI CC values. This allows up to four DPC.micro to share the same MIDI channel and still have each loop be individually accessible from your MIDI controller.

Chain ID	0 (RED)	1 (GRN)	2 (BLU)	3 (ORG)
Loop A CC	50	53	56	59
Loop B CC	51	54	57	60
Loop C CC	52	55	58	61